


sudarshan
SA-107



cut your own way

Sudarshan Paper Cutting Machine



Sudarshan Paper Cutting Machine - SA-107

Salient Features:

Heavy Duty, Rigid construction provides stable performance & long life. Best quality materials are used to withstand wear & tear, strain & stress.

Positive drive hydraulic clutch ensures slippage free & maintenance free cut operation.

Telescopic double pressure cylinder within single tank with almost pipe less power pack. Pressure knob to adjust the desire clamping pressure.

Two rows infra-red curtain with row selection in front of cutting zones ensures 100% safety while cutting.

Rigid guiding system for back gauge movement ensure perfect parallel & right angle cutting of paper.

Main Table with Air nozzles for easy movement of bulky material. Side tables covered with air nozzles.

Overload safety bolt to avoid severe mechanical damage.

Flush type, dust proof, feather touch keyboard for smooth operation of program unit.

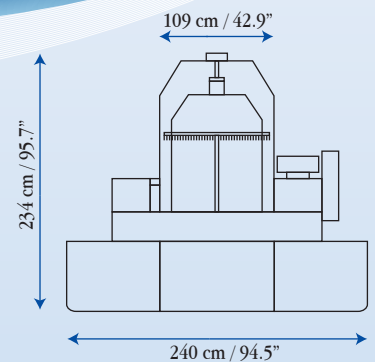
Program Features:

Programme Method : Cut and Store | Ten Key Buttons Programming | Label Cutting / Tabulation Programming.

Programme Storage : No. of programme : 99 | No. of Steps in each programme : 50

Programme Help : Calculation function | Selection of function | Selection of first blank programme | Calibration checking with & without actual movement of back gauge | Saving of programme | Increase & decrease of steps | Clear, Correct, delete or insert steps | Change any steps into jog and side status | Shrinkage Correction | Shift Correction | Single cutting & Continuous cutting operation | Manual ON-OFF air flow on airtable | Machine Program by pass for manual operation.

Precision Cutting : Calibration accuracy of back gauge ± 0.01 mm



Technical Specification

Specification	Unit	Value
Cutting Width	Mm	1070
Feed Depth	Mm	1070
Clamp Opening	Mm	130
Weight (net)	Kg.	2500
No. of cut in continuous run/min	Nos.	40
Front table height	Mm	680
Clamp Pressure (Minimum)	Kg	400
Clamp Pressure (Maximum)	Kg	3000
Smallest cut Without False Clamp	Mm	25
Smallest cut with false clamp	Mm	70
Back gauge speed (normal)	Mm/sec	50
Back gauge speed (express)	Mm/sec	200
Supply Voltage (3ph 340-500v)	Amp	20
Size of wire	Mm	2.5
Power required (main drive)	H.P.	5
Total power required	H.P.	7

Standard Accessories:

8 Beam two rows infra red safety guard | False Clamp | Optical line indicator | Knife changing tools | Airtable complete with blower | Two piece backgauge segment | S.S.Coating on front table | Two push button operation device | One set of tools | One instruction manual, wiring diagram & Spare Part Manual.

Optional Accessories :

S.S. Coating on entire table | Slot Closing tape | Programmable Air Table.



Mohansons India

Plot No. : 2914, Phase IV, G.I.D.C., Nr. Ramol Chowkdi, Vatva, Ahmedabad - 382 445. Gujarat, India.

Contact : +91 98250 30713 / 079 40098373 Fax no : + 91 079 25832357

E mail : info@sudarshan.co.in website : www.sudarshan.co.in

Authorised Dealer / Agent